



SUPERLEO 10-12 kW Quartz Halogen Fresnel Spotlight



Mod. 490

SPECIFICATIONS

PHISICAL

- Octagonal-shaped lightweight stainless steel construction
- Double wall & internal baffles for efficient ventilation
- Coated with a high temperature heatresistant powder coat black epoxy paint finish
- Supplied with a stainless steel wireguard
- Hinged lens door with wire guard for easy re-lamping including accessory clips which can be positioned to suit various applications
- Top locking safety bracket for barndoor & colorframe
- Capable of being disassembled with a screwdriver for easy replacement of parts & maintenance
- Reinforced steel tube yoke with 1" male spigot attached for C-clamp
- Clutch activated T-handle for secure, single hand operation
- UL Listed

ELECTRICAL

- 115-240V, 50/60Hz
- 12/3 SO type cable
- Six foot (6') standard detachable power cable
- Built-in 125 amp on/off toggle switch

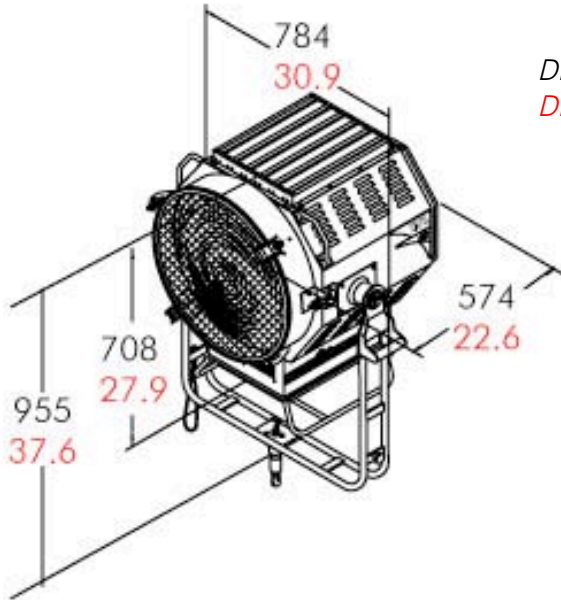
LAMP

- 12000w Maximum
- Capable of interchanging a 10,000w or
- 12,000w lamp
- G38 bi-post locking lever socket for long life tungsten halogen lamps (see table for suitable lamps)

OPTICAL/FOCUS MECHANISM

- 20" (500mm) shock resistant borosilicate glass fresnel lens
- Special bi-metallic clad aluminum reflector for high degree of reflectivity and thermal resistance for long life
- Focusable from both the front and the rear
- Cable driven focus mechanism guides Teflon bushings along a brass guide rail that is chrome plated to ensure smooth operation
- Teflon bushings provide a wiping action which cleans the chrome plated brass guide rail during focusing

DIMENSIONS



Dimensions in mm
Dimensions in inches

PHOTOMETRIC DATA

PHOTOMETRIC DATA SUPERLEO 10-12 kW

Values measured with: CP 83 (10 kW) and FUJI 12 kW Lamp – 230 V, 500 mm – Fresnel Lens

		METERS				
TYPICAL DISTANCES		20'	40'	60'	80'	
LIGHT CENTER VALUES	Candle Power	Footcandles				
	SPOT	10 kW	990.000	27.500	6.875	3.056
	12 kW	1.070.000	29.722	7.431	3.302	1.858
FLOOD	10 kW	160.000	4.444	1.111	494	278
	12 kW	170.000	4.722	1.181	525	295
BEAM ANGLE (50% of center value)		LUX AT ANY DISTANCE = Candle Power : (distance in m.) ²				
		BEAM DIAMETER (W x H in meters)				
SPOT	10,0°	1,0	2,1	3,1	4,2	
FLOOD	50,0°	5,6	11,2	16,8	22,4	

PHOTOMETRIC DATA SUPERLEO 10-12 kW

Values measured with: CP 83 (10 kW) and FUJI Lamp – 230 V, 500 mm – Fresnel Lens						
		FEET				
TYPICAL DISTANCES		20'	40'	60'	80'	
LIGHT CENTER VALUES	Candle Power		Footcandles			
	SPOT	10 kW	990.000	2.475	619	275
12 kW		1.070.000	2.675	669	297	167
FLOOD	10 kW	160.000	400	100	44	25
	12 kW	170.000	425	106	47	27
BEAM ANGLE (50% of center value)			F.C. AT ANY DISTANCE = Candle Power : (distance in ft) ²			
			BEAM DIAMETER (W x H in feet)			
SPOT	5,6°		3.5	7.0	10.5	14.0
FLOOD	56,2°		18.7	37.3	56.0	74.6

ORDERING INFORMATION

MOD. DESCRIPTION

490.210 Version without dimmer, 6' detachable cable w/ 125 amp in-line on/off toggle switch

492.210 Version with built-in-dimmer, 6' detachable cable and 125 amp on/off toggle switch

CONNECTOR DESIGNATIONS

MOD. DESCRIPTION

100PC-M Two-pin & ground, 100 amp connector.

ACCESSORIES

MOD. DESCRIPTION

496.100 Four leaf rotating barndoor (Large)

497.100 Four leaf rotating barndoor (Medium)

499.100 Eight way rotating barndoor (Large)

8035 Eight way rotating barndoor (Medium)

401.100 Colour frame

404.110 Outrigger colour frame

404.120 Outrigger colour frame mounting kit

5505.100 Cone with two discs (front aperture diam.: 190 mm. 150 mm. 110 mm.).

DGP-B250X Set of scrims - Stainless steel